

SMB Style Connector (Low Cost Version)

PSC2 Series

DDK Ltd.

Connector Type
SMB

Frequency Range
DC~4GHz

Characteristic Impedance
50 Ω

Applicable Cable
1.5D

Lock Type
Push On



OUTLINE

PSC2 series is intermateable with SMB style connector which conform to MIL-PRF-39012 and modified smaller and lighter.

It is achieved low cost by reducing the number of parts and using molding parts/press-fabricated parts.

APPLICATIONS

Base station, Telecom, Measurement equipments.

FEATURE

1. Added the spring which prevent the interface form spreading.
It improves the strength for the torsional mating and retaining force.
2. Recommended cable : 1.5DS-QEHV(TA) (Shikoku Cable) and 1.5D-HQ·SUPER (Fujikura)
3. RoHS Compliant
4. Mating height is 9mm (max.). (Mating connector is PSC-SR-PS-D2)

SPECIFICATIONS

Characteristic Impedance	50 Ω
Rated Volatge	335VAC(r.m.s.)
Dielectric Withstanding Voltage	1000V AC(r.m.s.) / 1 minute
Insulation Resistance	1000M Ω Mim. at 500V DC
Contact Resistance	6m Ω Max.
V.S.W.R.	1.3 max. at DC to 4GHz
Mating Height	9.0mm max.
Operating Temperature	-40 ~ +85°C

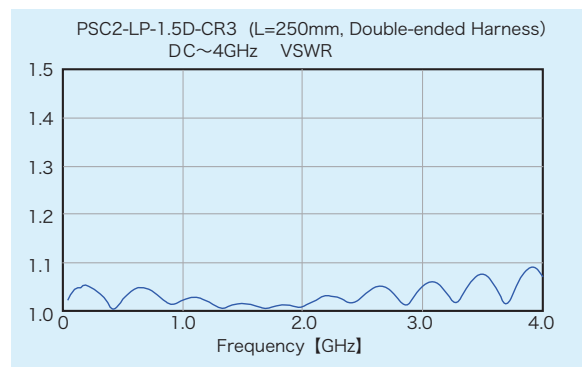
* The specifications are typical but may not apply to all connectors. Please check the specifications on each item with its drawing from us when you use.

MATERIAL/FINISH



Item	Material / Finish
Contact	Copper Alloy / Au Plating
Outer Conductor	Copper Alloy / Ni or Au Plating
Insulator	Fluorine Resin

V.S.W.R.

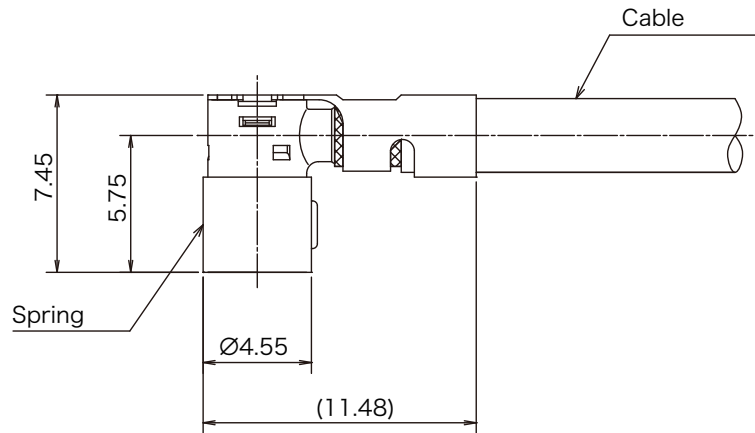


© Please acknowledge that the specification etc. of this catalog might change by the improvement etc. without a previous notice. Moreover, the characteristic and the specification of the published product are the reference values.

Please confirm the content with the latest delivery specifications when you use the product.

▶ Cable Plug

Dimensions



Part Number	Plating/Finish	
	Center Conductor	Outer Conductor
PSC2-LP-1.5D-CR3	Au	Ni
PSC2-LP-1.5D-CR3-D1	Au	Au

※ Plug connector is available in only cable assembly.